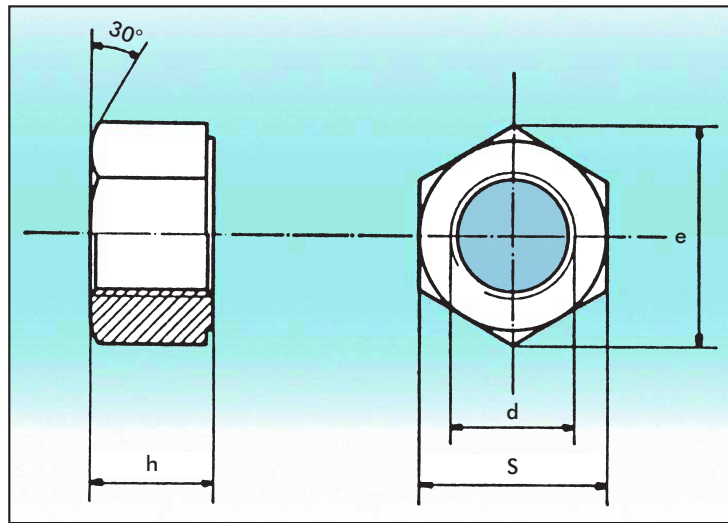


**ECROUS HEXAGONAUX
ANSI B 18-2 "SERIE LOURDE"**

**HEAVY SEMI-FINISHED
HEXAGON NUTS ANSI B 18-2**



Diamètre Nominal size d	Nombre de filets au pouce Number of threads/inch	Côte sur plats Width across flats s			Hauteur Thickness h			Côte sur angles Width across corners e			Poids de 100 écrous en kgs Weight of 100 nuts in kg
		Pouce	Inch	mm	Pouce	Inch	mm	Pouce	Inch	mm	
3/8	16	11/16	17.5	3/8	9.1	3/4	19.7	1.4			
7/16	14	3/4	19.0	7/16	10.7	7/8	22	1.9			
1/2	13	7/8	22.2	1/2	12.3	1"	25.4	3.0			
9/16	12	15/16	23.8	9/16	13.9	1"1/16	27	3.7			
5/8	11	1"1/16	27.0	5/8	15.5	1"1/4	31.2	5.4			
3/4	10	1"1/4	31.7	3/4	18.7	1"3/8	35.7	8.8			
7/8	9	1"7/16	36.5	7/8	21.8	1"5/8	41.6	13.5			
1"	8	1"5/8	41.3	1"	25.0	1"7/8	47.2	19.3			
1"1/8	8	1"13/16	46.0	1"1/8	28.2	2"1/16	52	26.9			
1"1/4	8	2"	50.8	1"1/4	31.0	2"1/4	57.8	35.7			
1"3/8	8	2"3/16	55.6	1"3/8	34.1	2"1/2	63.5	46.3			
1"1/2	8	2"3/8	60.3	1"1/2	37.3	2"3/4	69.3	59.5			
1"5/8	8	2"9/16	65.1	1"5/8	40.5	2"15/16	75	73.6			
1"3/4	8	2"3/4	69.8	1"3/4	43.6	3"1/16	78.6	92.7			
1"7/8	8	2"15/16	74.6	1"7/8	46.8	3"3/8	85.5	109.5			
2"	8	3"1/8	79.4	2"	50.0	3"9/16	90	135.8			
2"1/4	8	3"1/2	88.9	2"1/4	56.0	3"15/16	100	190.3			
2"1/2	8	3"7/8	98.4	2"1/2	62.3	4"3/8	111.6	256.0			
2"3/4	8	4"1/4	108	2"3/4	70.0	4"7/8	124.3	335.0			
3"	8	4"5/8	117.5	3"	76.2	5"3/8	135.3	432.0			
3"1/4	8	5"	127	3"1/4	80.9	5"3/4	146.5	543.0			
3"1/2	8	5"3/8	136.5	3"1/2	87.3	6"3/16	157.2	694.0			
3"3/4	8	5"3/4	146	3"3/4	93.7	6"5/8	168.6	824.0			
4"	8	6"1/8	155.6	4"	100.0	7"1/16	179.5	991.0			

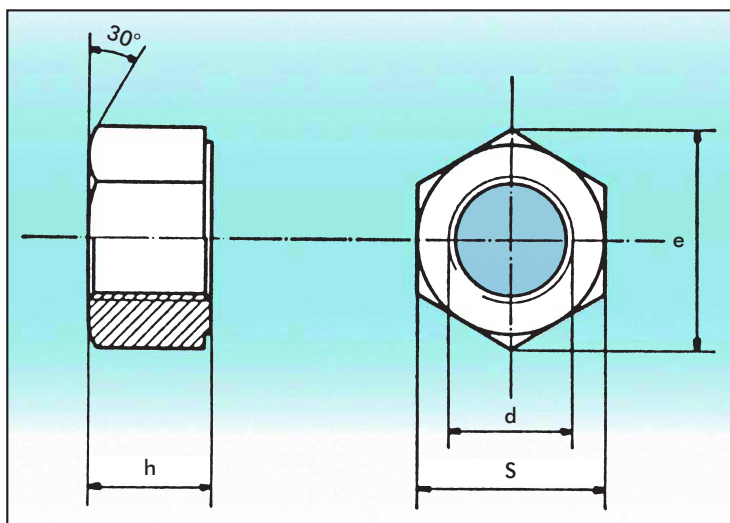
Note : Dimensions sur plats, angles et hauteurs conformes à American standard B 18-2 "Heavy semi Finished Hexagon Nuts".
Tarouillage conforme à ANSI B1.1 UNC 1982 jusque 1", 8 filets UN pour les dia. 1"1/8 et supérieurs.

Nota : Widths across flats and corners, as well as thickness are to American standard B 18-2 "Heavy semi finished Hexagon Nuts".
Threading according to ANSI B1.1 UNC 1982 up to 1", 8 threads UN from diameter 1"1/8.



ECROUS HEXAGONAUX METRIQUES

METRIC HEAVY HEXAGON NUTS



Diamètre Nominal size	Pas ISO Pitch	Côtes sur plats Width across flats	Hauteur Thickness	Côtes sur angles Width across corners	Poids de 100 écrous en kilos Weight of 100 nuts in kilos
d	p	s	h	e	
M8	1.25	13	8	14.2	0.65
M10	1.50	17	10	19.6	1.45
M12	1.75	19	12	21.9	2.17
M14	2.00	22	14	25.4	3.13
M16	2.00	24	16	27.7	4.16
M18	2.50	27	18	31.2	6.20
M20	2.50	30	20	34.6	8.05
M22	2.50	32	22	36.9	9.85
M24	3.00	36	24	41.6	13.80
M27	3.00	41	27	47.2	20.65
M30	3.50 ou/or 3.00	46	30	53.1	27.9
M33	3.50 ou/or 3.00	50	33	57.8	36.0
M36	4.00 ou/or 3.00	55	36	63.6	49.15
M39	4.00 ou/or 3.00	60	39	69.3	62.75
M42	4.50 ou/or 3.00	65	42	75	81.50
M45	4.50 ou/or 3.00	70	45	80.9	100.0
M48	5.00 ou/or 3.00	75	48	86.7	122.0
M52	5.00 ou/or 3.00	80	52	92.4	152.5
M56	5.50 ou/or 4.00	85	56	98.2	177.5
M60	5.50 ou/or 4.00	90	60	105	211.5
M64	6.00 ou/or 4.00	95	64	110	247.5
M68	6.00 ou/or 4.00	100	68	116	287.5
M72	6.00 ou/or 4.00	105	72	121	334.0
M76	6.00 ou/or 4.00	110	76	127	380.0
M80	6.00 ou/or 4.00	115	80	133	430.0
M85	6.00 ou/or 4.00	120	85	138	492.0
M90	6.00 ou/or 4.00	130	90	150	617.0
M95	6.00 ou/or 4.00	135	95	155	697.0
M100	6.00 ou/or 4.00	145	100	167	853.0

Tarudage selon NFE 03.014 et 03.053 classe 6H.
L'écrou "Série Lourde" (anciennement NFE 27411) reste d'application pour
la Boulonnerie d'Assemblage à Brides des appareils à pression NFE 29043.

Threading according to NFE 03.014 and 03.053 6H tolerance.
Heavy series nuts (formerly NFE 27411 standard) still apply to Bolting of
Flanges for pressure vessels NFE 29043.



BECK-CRESPEL

Serrer la performance • Tightening up on performance

87

travail : 74619_FEU_RV_210x297_CB0071

Date : 14-10-15

Largeur : 210.002

Hauteur : 297

Couleur : Cyan, Magenta, Yellow, Black

OK pour impression

Signature: _____ Date: _____
74619_FEU_RV_210x297_CB0071.p87.pdf

SpoolServer

Bon À Tirer